

SONY.

Hi-Fi Products
Service Bulletin

Sony Service Company - Technical Services
A Division of Sony Corporation of America
Sony Drive, Park Ridge, New Jersey 07656

Model: MHC-3600, TA-H3600

No. 257

Subject: AM Interference

Date: March 20, 1992

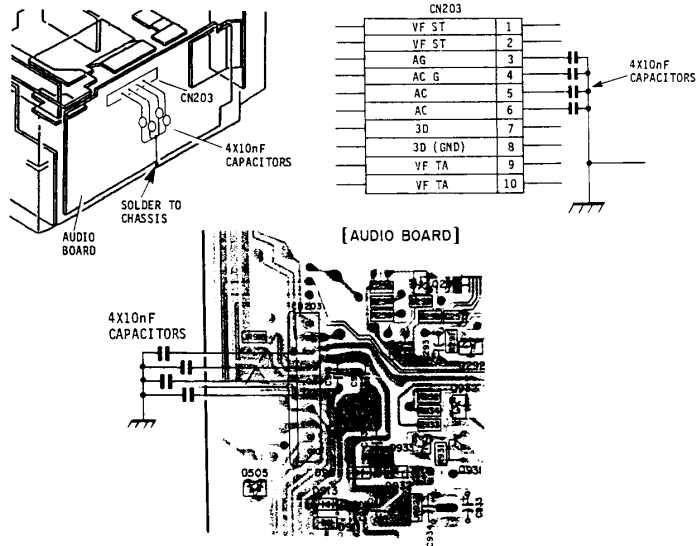
Symptom:
(55)

When listening to the CD player, the cassette deck or even the tuner, there might be an unwanted radio station audible. This phenomenon only occurs during the evening and night.

Solution:

To correct this problem, connect four (4) 10nF ceramic capacitors between the chassis (GND) and pins 3,4,5 and 6 of CN203 on the audio board. At the ground side, twist all the capacitor leads together and solder them onto the chassis as shown below.

DESCRIPTION	PART NUMBER
10nF CAPACITOR	1-161-379-00



CSA-13 Amplifier

Reference: HF-00192 (Europe)

PRINTED IN U.S.A.
CSA-13392-5